

Customizable

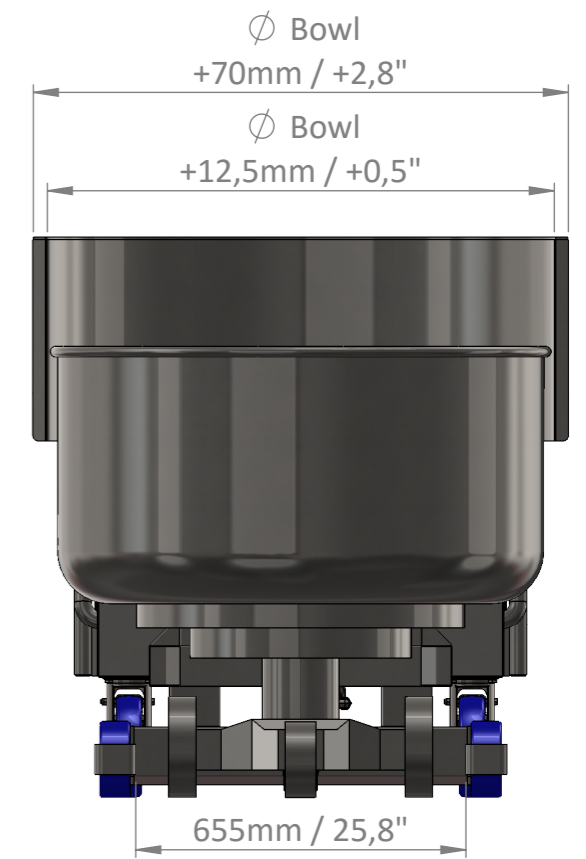
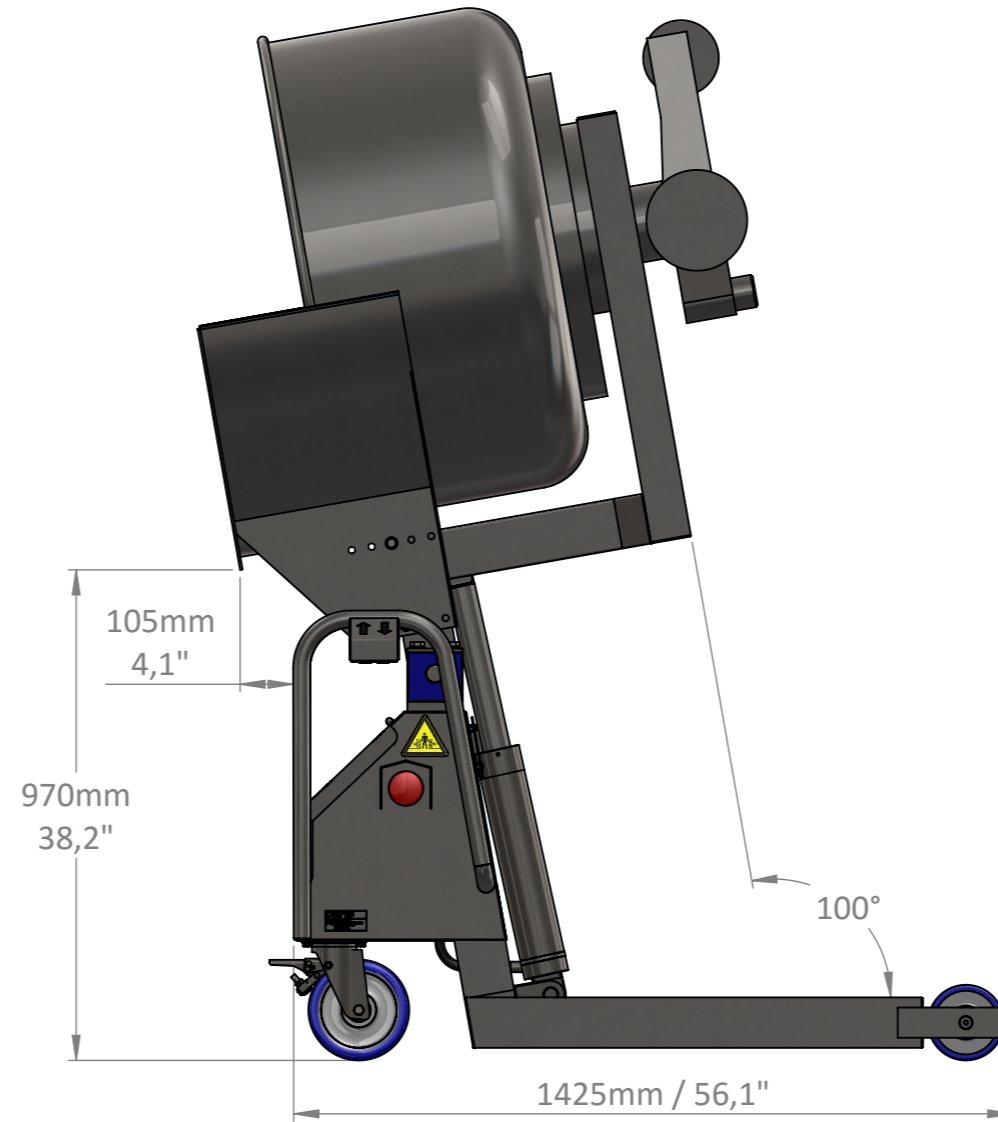
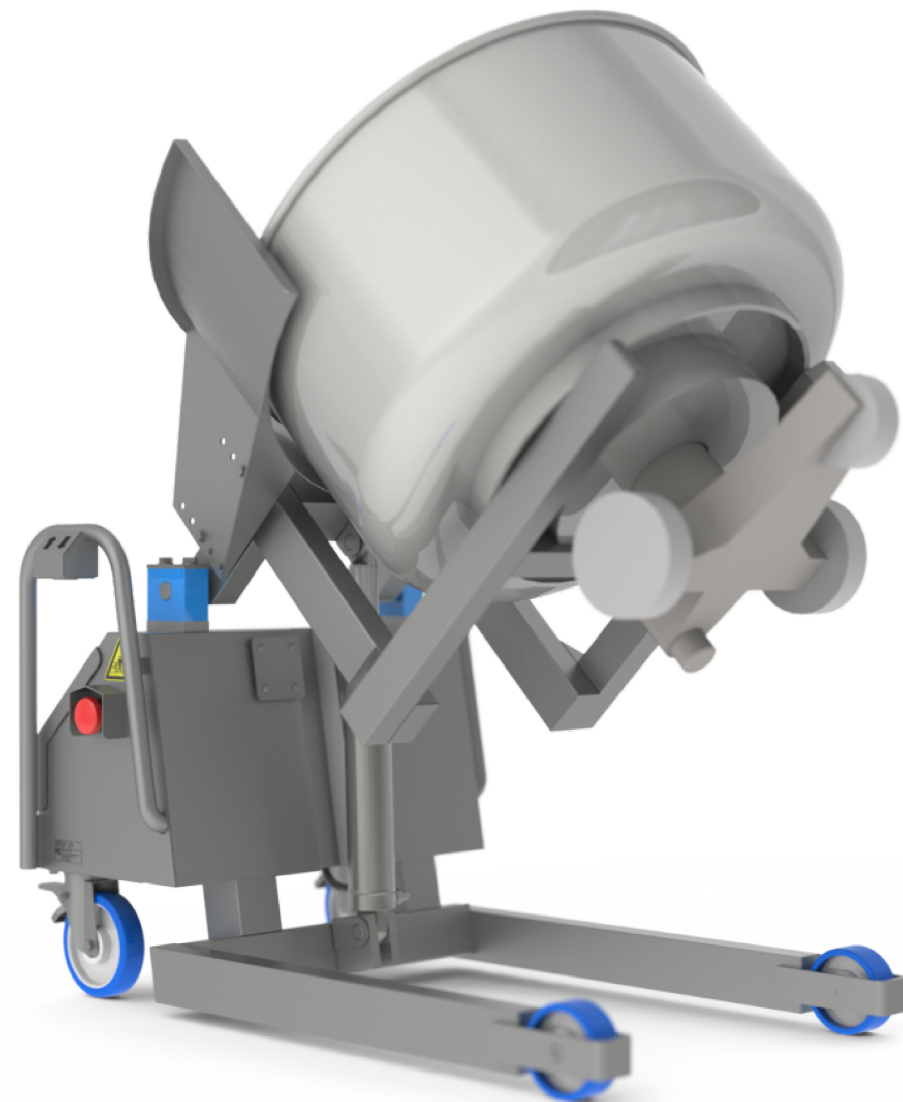
Demands:

Bowl Measures (ϕ x H): _____ x _____

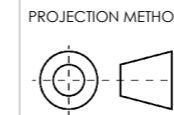
Bowl Weight: _____

Max. 800 kg. / 1750 lb.

Type: DB



DIMENSIONS TOLERANCES:
LINEAR: $\pm 5\text{mm}$ / $\pm 0.2"$
ANGULAR: $\pm 1^\circ$



BACKsaver
work hard lift smart

DO NOT SCALE DRAWING

	NAME	DATE
DRAWN	RL	2-3-2016
CHK'D	BvO	2-3-2016

Kruisbroeksestraat 17
5281 RV Boxtel
the Netherlands

info@backsaver.nl
www.backsaver.nl
Tel. +31(0)411 672652

CLIENT:
Van Oirschot Roestvrijstaal B.V.

TITLE:
BSMDB

PROPRIETARY AND CONFIDENTIAL
THE INFORMATION CONTAINED IN THIS DRAWING IS THE SOLE PROPERTY OF VAN OIRSCHOT ROESTVRIJSTAAL BV - BOXTEL, THE NETHERLANDS. ANY REPRODUCTION IN PART OR AS A WHOLE WITHOUT THE WRITTEN PERMISSION OF VAN OIRSCHOT ROESTVRIJSTAAL BV - BOXTEL, THE NETHERLANDS IS PROHIBITED.

MATERIAL:
AISI304 (1.4301) AISI316 (1.4404)

FINISH:
Glass bead blasting

DWG NO.
SW_10024

A3

SCALE:1:15

SHEET 1 OF 1

